



## PA Series

### Variable Area Flowmeter

- 전원 장치 없이 사용하는 현장 지시 유량계
- 작은 공간에 적합하도록 디자인 되어 일반 공장 배관 라인 및 패널 등 쉽게 취부 가능
- 유체의 순간 흐름 쉽게 확인 가능 (거품, 색상 등)

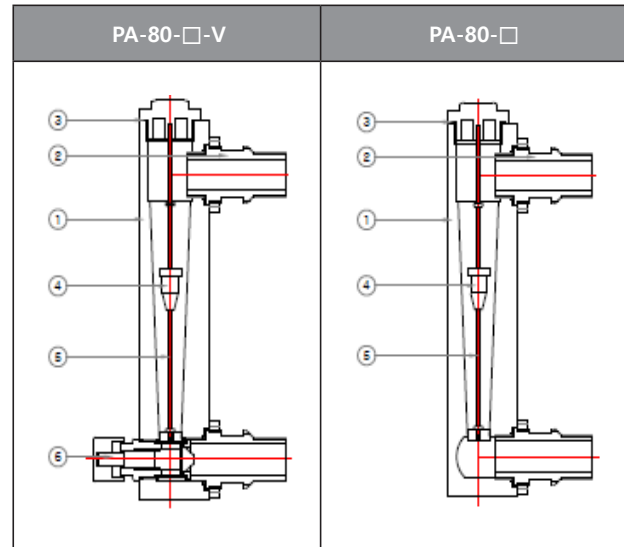
## PA-80 Series General Specifications

Size	15A (1/2") ~ 25A (1")
Process Connection	NPT
Measuring Fluid	Gas and Liquid
Accuracy	±4.0 % F.S
Fluid Temperature	Max. 70 °C
Max. Pressure	Max. 6 kgf/cm <sup>2</sup> .G

### MODEL CODE

PA-80	-	□	-	□	Specification
		2 ~ 7			Flow ranges 참조 Bottom side to Top side
			V		Valve

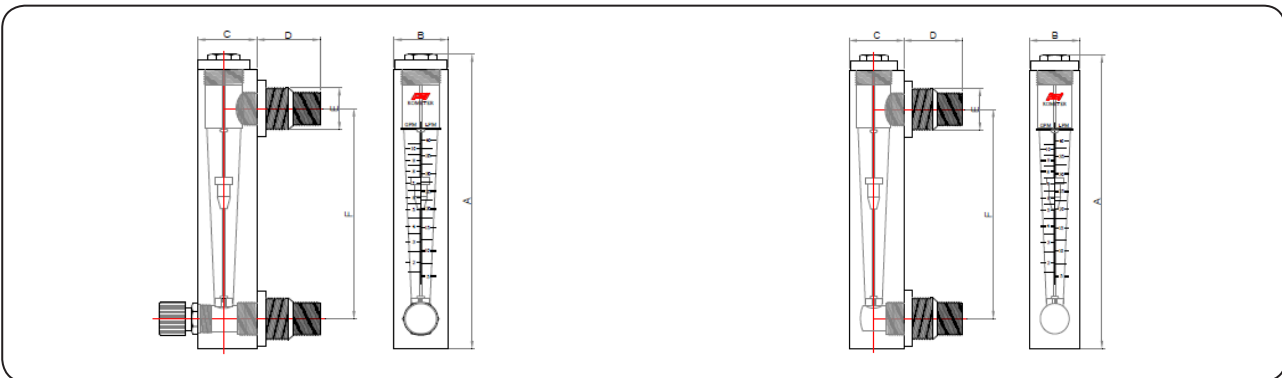
### STRUCTURAL DRAWING



### STANDARD MATERIAL

No.	Description	Material
1	Body	Machined acrylic
2	Adapter	Polypropylene
3	O-ring	Viton
4	Float	SUS316
5	Guide bar	SUS316

### FLOW RANGES & DIMENSIONS



Model	Size ( mm )						Measure Range		Coonection
	A	B	C	D	E	F	GPM	LPM	
PA-80-2	215	34	40	31	20	165	0.2 - 2	1 - 7	1/2" NPT
PA-80-3							0.5 - 5	1.8 - 18	
PA-80-4	233	41	45	47	33	165	2 - 10	8 - 40	3/4" NPT
PA-80-5							2 - 16	6 - 60	
PA-80-6	254	45	50	47	33	175	4 - 24	20 - 100	1" NPT
PA-80-7							5 - 35	30 - 130	

## PA-81 Series General Specifications

Size	6A (1/4") ~ 15A (1/2")
Process Connection	NPT
Measuring Fluid	Liquid
Accuracy	±4.0 % F.S
Fluid Temperature	Max. 65 °C
Max. Pressure	Max. 6 kgf/cm <sup>2</sup> .G

## MODEL CODE

PA-81	-	□	-	□	Specification
		1 ~ 3			Flow ranges 참조 Bottom side to Top side
			V		Valve

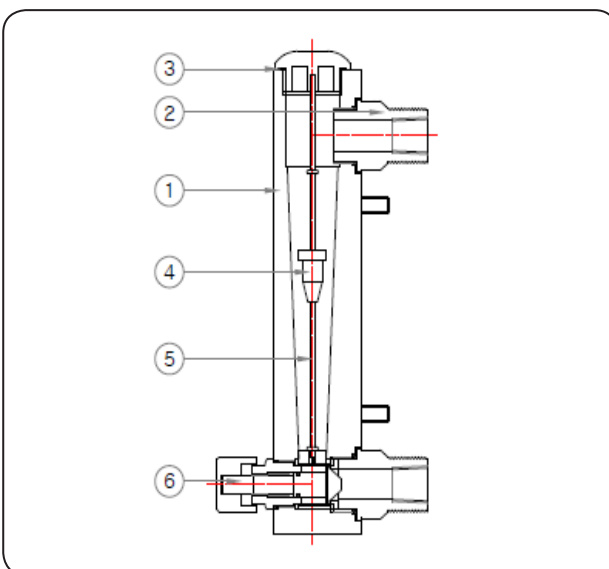
## FLOW RANGES

Model	Measure Range		Coonection
	GPM	LPM	
PA-81-1	0.1 - 1	0.5 - 4	1/2" NPT
PA-81-2	0.2 - 2	1 - 7	
PA-81-3	0.5 - 5	2 - 18	

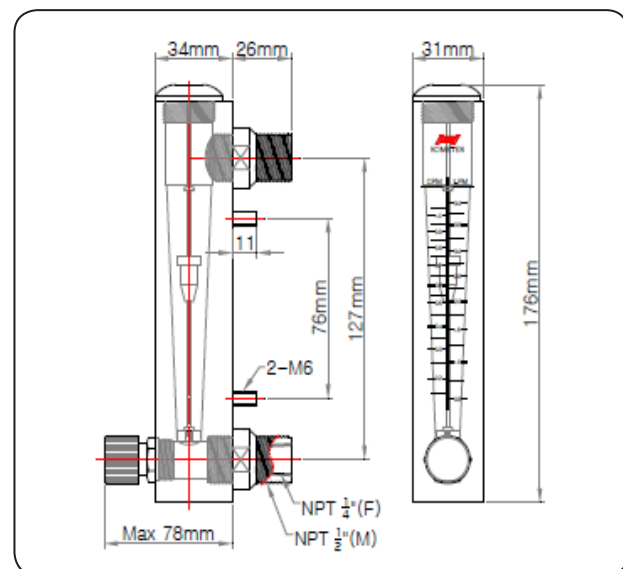
## STANDARD MATERIAL

No.	Description	Material
1	Body	Machined acrylic
2	Adapter	Polypropylene
3	O-ring	Viton
4	Float	SUS316
5	Guide bar	SUS316

## STRUCTURAL DRAWING



## DIMENSIONS DRAWING



## ■ PAA-82 Series General Specifications

Size	1/8"
Process Connection	PT
Measuring Fluid	Water, Air
Accuracy	±5.0 % F.S
Fluid Temperature	Max. 60 °C
Max. Pressure	Max. 6 kgf/cm <sup>2</sup> .G

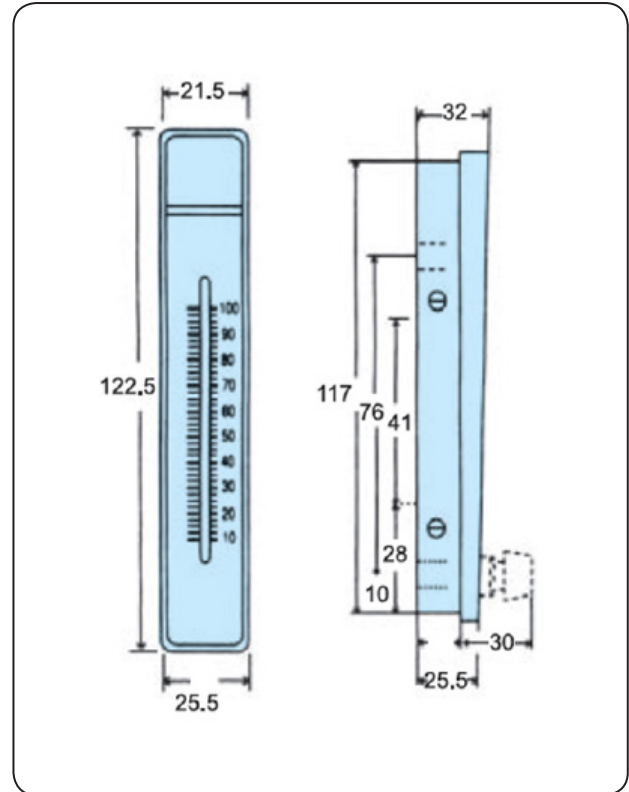
## ■ MODEL CODE

PAA-82	-	□	-	□	Specification
		W			Measured for Water
		A			Measured for Air
				1 ~ 3	Water Flow ranges 참조 Rear to Rear
				1 ~ 6	Air Flow ranges 참조 Rear to Rear

## ■ FLOW RANGES

Model	Water (L/min)	Model	Air (NL/min)
PAA-82-W-1	0.3 - 1.5	PAA-82-A-1	0.5 - 5
		PAA-82-A-2	1 - 10
PAA-82-W-2	1 - 2	PAA-82-A-3	5 - 25
		PAA-82-A-4	5 - 50
PAA-82-W-3	0.5 - 3	PAA-82-A-5	7 - 70
		PAA-82-A-6	10 - 100

## ■ DIMENSIONS DRAWING





## PA-90 Series General Specifications

Size	15A (1/2") ~ 50A (2")
Process Connection	Male thread
Measuring Fluid	Liquid
Accuracy	±5.0 % F.S
Fluid Temperature	Max. 70 °C
Max. Pressure	Max. 6 kgf/cm <sup>2</sup> .G

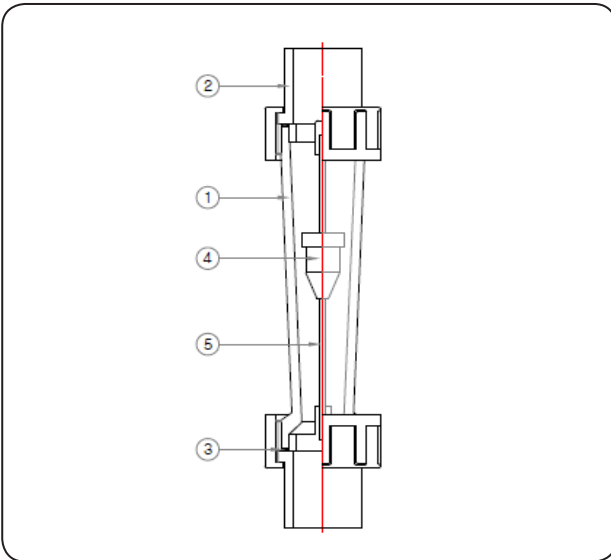
### MODEL CODE

PA-90	-	□	-	□	Specification
		1			Flow ranges 참조
		~			Bottom to Top
		10			Male Thread

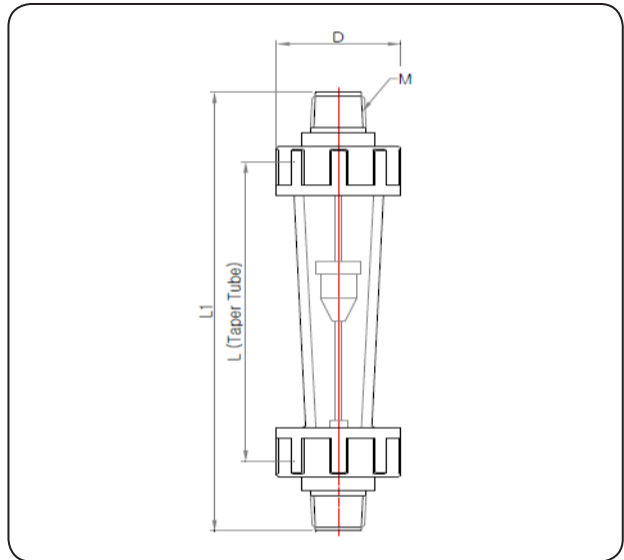
### STANDARD MATERIAL

No.	Description	Material
1	Body	Polysulfone
2	Adapter	P.V.C
3	O-ring	Viton
4	Float	SUS316, Teflon
5	Guide bar	SUS304 / 316

### STRUCTURAL DRAWING



### DIMENSIONS DRAWING



### FLOW RANGES & DIMENSIONS

Model	L	L1	D	M	Measure Range		Connection
					GPM	LPM	
PA-90-1	160	225	50	1/2"	0.1 - 1	0.5 - 4	1/2"
PA-90-2					0.2 - 2	1 - 7	
PA-90-3					0.5 - 5	2 - 18	
PA-90-5	170	250	59	3/4"	1 - 10	4 - 40	3/4"
PA-90-7	225	310	72	1"	2 - 20	8 - 80	1"
PA-90-8					2.5 - 25	10 - 100	
PA-90-9	290	400	100	2"	5 - 45	20 - 180	2"
PA-90-10					7 - 70	25 - 250	

## PA-91 Series General Specifications

Size	15A (1/2") ~ 50A (2")
Process Connection	Female Screw
Measuring Fluid	Liquid
Accuracy	±4.0 % F.S
Fluid Temperature	Max. 65 °C
Max. Pressure	Max. 6 kgf/cm <sup>2</sup> .G

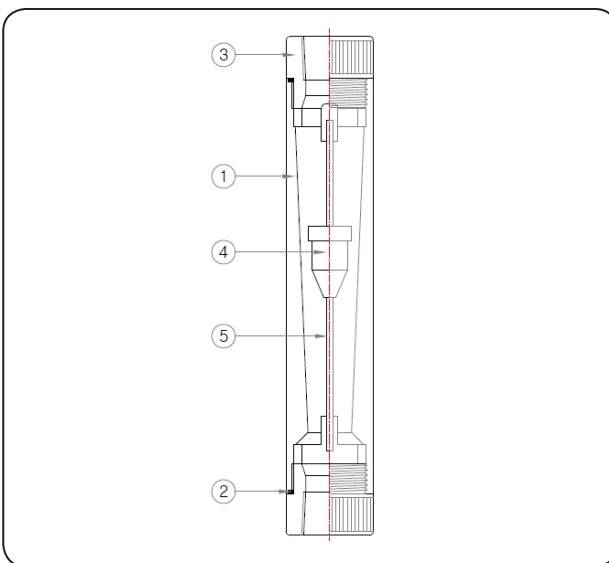
### MODEL CODE

PA-91	-	□	-	□	Specification
		1			Flow ranges 참조
		~			Bottom to Top
		7			

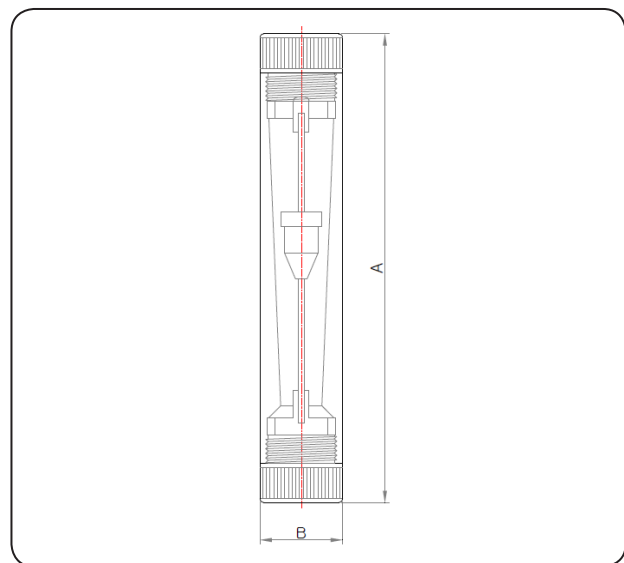
### STANDARD MATERIAL

No.	Description	Material
1	Body	Polypropylene
2	Adapter	ABS
3	O-ring	Silicon, Fluoro
4	Float	SUS304
5	Guide bar	SUS316

### STRUCTURAL DRAWING



### DIMENSIONS DRAWING



### FLOW RANGES & DIMENSIONS

Model	Length (mm)		Measure Range		Coonection
	A	B	GPM	LPM	
PA-91-1	215	32	0.2 - 2	1 - 7	1/2" NPT
PA-91-2			0.5 - 5	1.8 - 18	
PA-91-3	278	45	1 - 10	4 - 36	3/4" NPT
PA-91-4	265	51	2 - 20	10 - 70	1" NPT
PA-91-5	265		5 - 30	20 - 110	
PA-91-6	310		20 - 60	80 - 220	
PA-91-7	345	75	20 - 100	75 - 400	2" NPT

## PA-92 Series General Specifications

Size	15A (1/2") ~ 20A (3/4")
Process Connection	Female NPT
Measuring Fluid	Liquid
Accuracy	±6.0 % F.S
Fluid Temperature	Max. 80 °C
Max. Pressure	Max. 10 kgf/cm <sup>2</sup> .G

### MODEL CODE

PA-92	-	□	-	□	Specification
		1 ~ 6			Flow ranges 참조 Bottom to Top

### MODEL CODE

Model	Measure Range		Coonection
	GPM	LPM	
PA-92-1	0.5 - 5	2 - 20	1/2" FNPT
PA-92-3	1 - 10	4 - 35	
PA-92-5	3 - 18	15 - 65	3/4" FNPT
PA-92-6	4 - 28	20 - 100	

### STANDARD MATERIAL

No.	Description	Material
1	Body	Polysulfone. PC
2	Adapter	SUS304
3	O-ring	EPDM
4	Float	SUS316
5	Guide bar	SUS316
6	Spring	SUS304

### DIMENSIONS DRAWING

